

Macchina

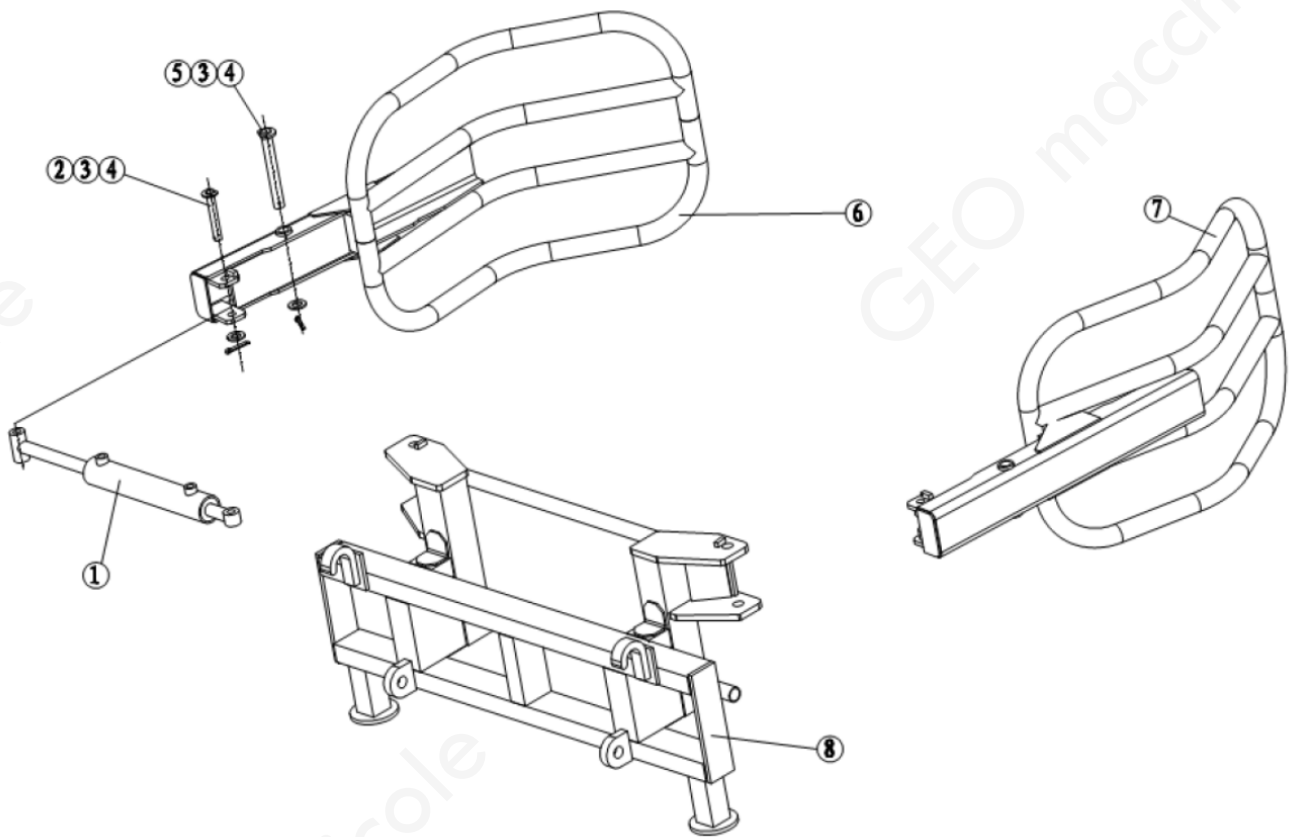
BG



Sezione

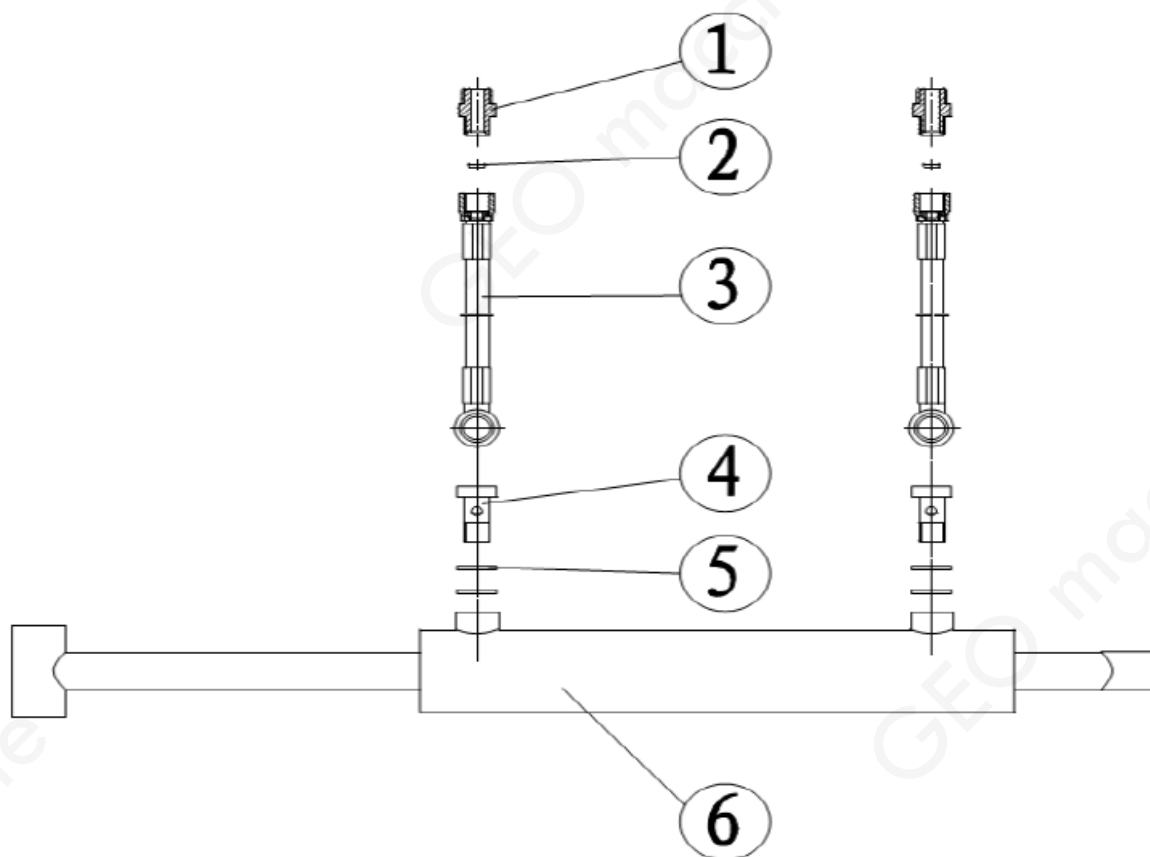
1

BALL_GRIPPER_BG



SerNo	PartNo	Description	Quantity
1	WD70-012	Hydraulic pressure loop assembly	1
2	WD70-101	Oil cylinder pin	2
3	GB/T97.1-2002	Plain washer 16	4
4	GB/T91-2000	Cotter pin 6.3X50	4
5	Z03-02-499	Running pin	2
6	WD70-ARM.L.H.S-A	Grass clip left paw weldment	1
7	WD70-ARM.R.H.S	Grass clip right paw weldment	1
8	WD70-MF-A	Grass clip seat weldment	1

Hydraulic_Part_BG



SerNo	PartNo	Description	Quantity
1	FEL300.402	Tie-in R1/2	2
2	GB3452.1-92	O-ring seal 13X2.4	2
3	WD70.013	Oil pipe 2	2
4	FEL300.403	Hollow bolt M18	2
5	JB1002-77	Seal washer 18	4
6	WD70-011	Both effect cylinder	1
7	Pipe_BG	Complete set of 1 pipe	2