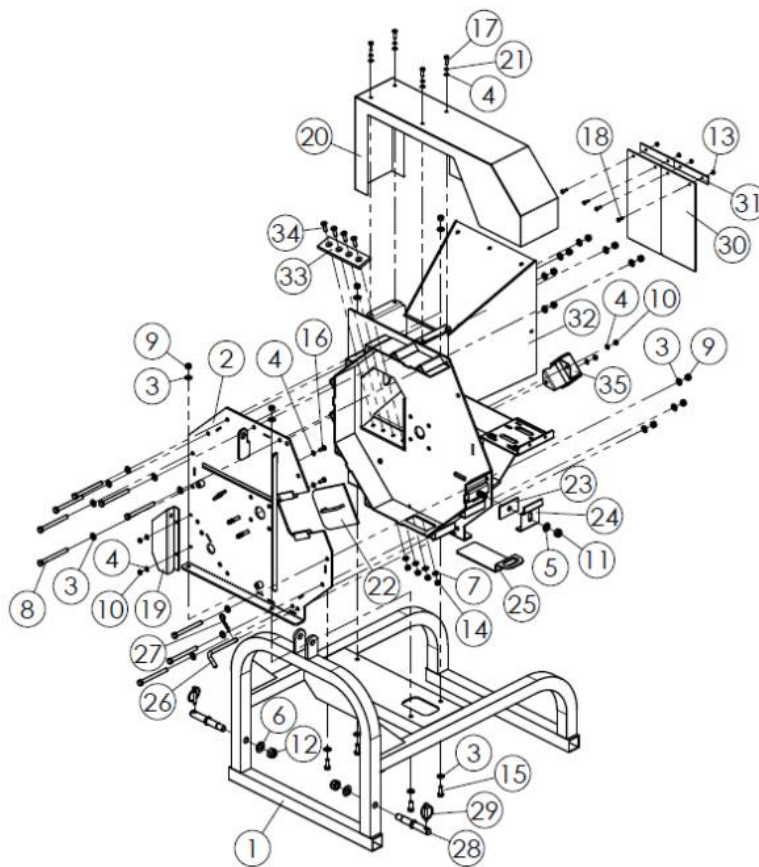


Sezione

1

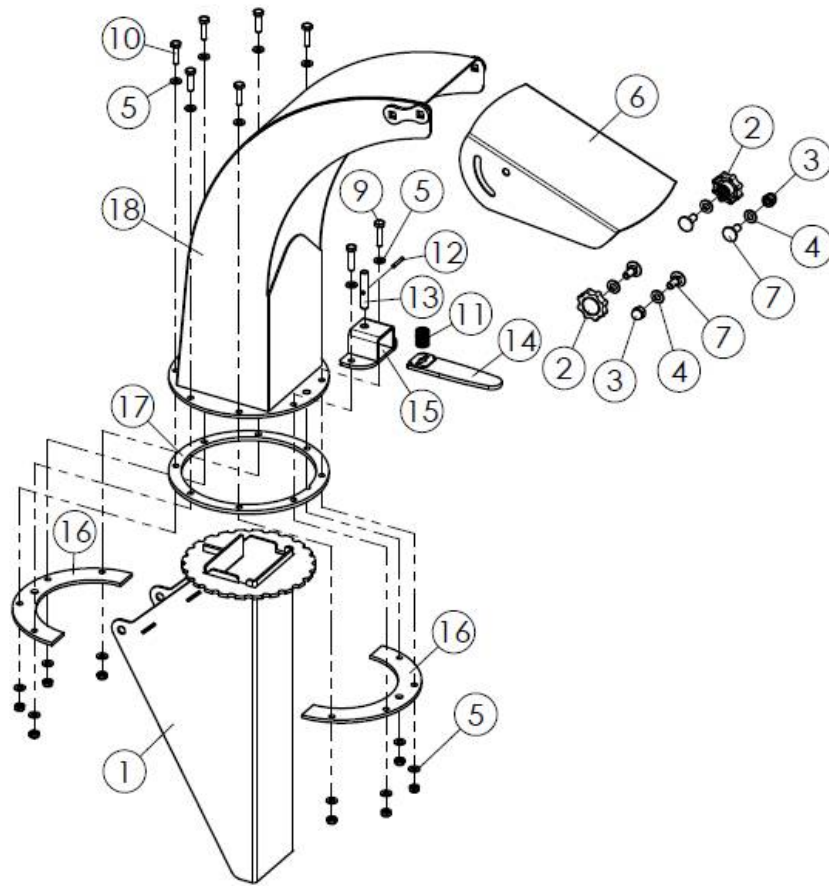
ECO17M_part1



| SerNo | PartNo | Description | Quantity | Price |
|-------|----------------|-----------------------|----------|-------|
| 1 | WCM8-00011 | CHIPPER BASE WELDMENT | 1 | |
| 2 | WCM8-00017 | BACK COVER | 1 | |
| 3 | GB97.1-12 | PLAIN WASHER 12 | 26 | |
| 4 | GB97.1-8 | PLAIN WASHER8 | 10 | |
| 5 | GB97.1-16 | PLAIN WASHER16 | 1 | |
| 6 | GB97.1-20 | PLAIN WASHER20 | 2 | |
| 7 | GB97.1-10 | PLAIN WASHER10 | 4 | |
| 8 | GB5782-M12X130 | BOLTS M12*130 | 9 | |
| 9 | DIN985-M12 | M12 NUTS | 13 | |

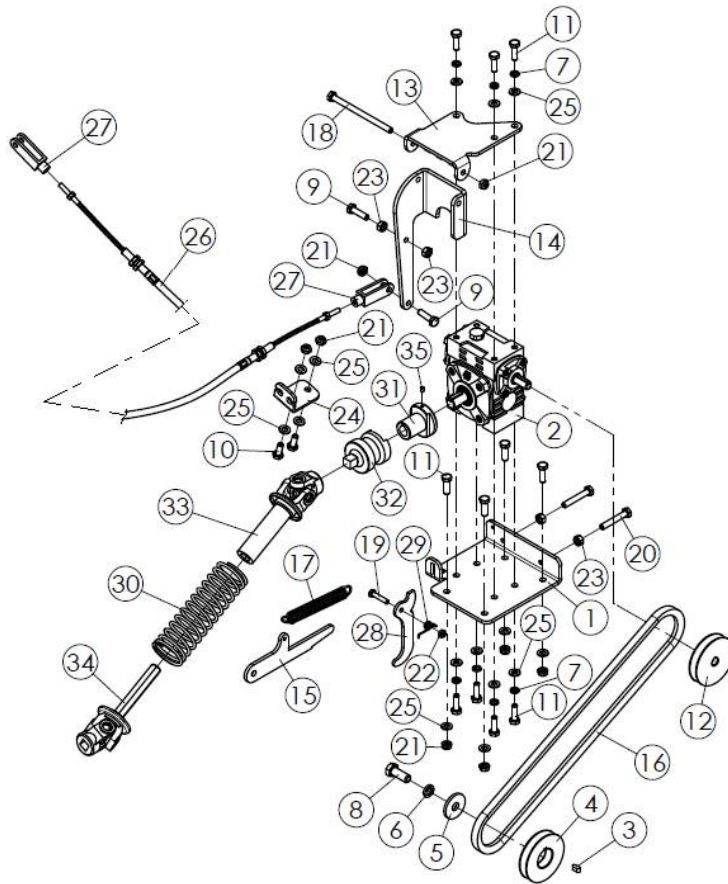
| | | | |
|----|---------------|-----------------------|---|
| 10 | DIN985-M8 | M 8 NUTS | 4 |
| 11 | DIN985-M16 | M16 NUTS | 1 |
| 12 | DIN985-M20 | M20 NUTS | 2 |
| 13 | DIN985-M6 | M 6 NUTS | 4 |
| 14 | DIN985-M10 | M10 NUTS | 4 |
| 15 | GB5783-M12X30 | M12x30 BOLTS | 4 |
| 16 | GB5783-M8X20 | M 8x20 BOLTS | 2 |
| 17 | GB5783-M8X25 | M 8x25 BOLTS | 4 |
| 18 | GB5783-M6X20 | M 6x20 BOLTS | 4 |
| 19 | WCM8-00163 | BAFFLE BOARD | 1 |
| 20 | WCM8-00013 | REDUCER COVER | 1 |
| 21 | GB93-8 | 8 SPAING WASHER | 4 |
| 22 | WCM8-00033 | WINDOW COVER | 1 |
| 23 | WCL5-00105 | RUUBER WASHER | 1 |
| 24 | WCM8-00104 | COMPACT BOARD | 1 |
| 25 | WCM8-00188 | TAKE OUT PLATE | 1 |
| 26 | WCL5-00133 | LOCKING PIN | 1 |
| 27 | . | SMALL R PIN | 1 |
| 28 | WCL5-00101Ke | DOWN LINK PIN | 2 |
| 29 | 200.56.011 | combination PIN | 2 |
| 30 | WCL8-00110 | PLASTIC COVER | 2 |
| 31 | WCL8-00111 | COMPACT BOARD | 2 |
| 32 | WCM8-02011 | CHIIPER BODY WELDMENT | 1 |
| 33 | WCM8-02101 | BED BLADE | 1 |
| 34 | GB70.3-M10X35 | M10x35 BOLT | 4 |
| 35 | WCM8-00166 | DOWN COVER BOARD | 1 |

ECO17M_part2



| SerNo | PartNo | Description | Quantity | Price |
|-------|----------------|-------------------------|----------|-------|
| 1 | WCM8-00015A | DISCHARGE PIPE | 1 | |
| 2 | WCM8-00042 | COMPACT NUT | 2 | |
| 3 | GB923-M10 | M10 NUT | 2 | |
| 4 | GB97.1-10 | 10 PLAIN WASHER | 4 | |
| 5 | GB97.1-8 | 8PLAIN WASHER | 16 | |
| 6 | WCM8-10103 | DISCHARGE COVER | 1 | |
| 7 | GB12-M10X25 | M10x25 BOLT | 4 | |
| 8 | DIN985-M8 | M 8 NUT | 8 | |
| 9 | GB5783-M8X35 | M 8x35 BOLT | 2 | |
| 10 | GB5783-M8X30 | M 8x30 BOLT | 6 | |
| 11 | AM60.01.110 | RECOVER SPRING | 1 | |
| 12 | GB119.1-B-4X28 | B4x28 PIN | 1 | |
| 13 | WCM8-10104 | LOCK PIN | 1 | |
| 14 | WCM8-00038A | LOCK PIN HANDLE | 1 | |
| 15 | WCM8-00041 | LOCK PON BRACKET | 1 | |
| 16 | WCM8-10101 | PRESS BORAD | 2 | |
| 17 | WCM8-10102 | SPACER CIRCLE | 1 | |
| 18 | WCM8-00036A | DISCHARGE PIPE WELDMENT | 1 | |

ECO17M_part3



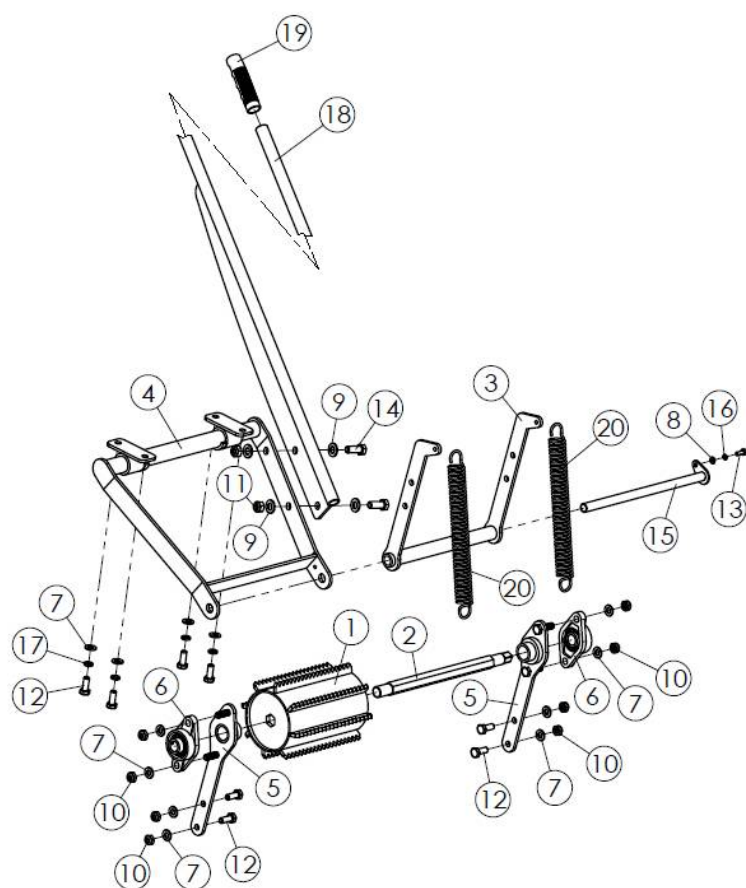
| SerNo | PartNo | Description | Quantity | Price |
|-------|-----------------|-----------------|----------|-------|
| | 24PMF.03.018 | Complete SHAFT | 1 | |
| 1 | WCM8-00187 | REDUCE SUPPORT | 1 | |
| 2 | Q/IAKY01-91 | WORM REDUCER | 1 | |
| 3 | GB1096-C-6X6X14 | 6x14 PLAIN KEY | 1 | |
| 4 | WCL8-00130 | PULLEY | 1 | |
| 5 | MZ105.115 | LOCK WASHER | 1 | |
| 6 | GB93-12 | 12SPING WASHER | 1 | |
| 7 | GB93-8 | 8 SPRING WAHSER | 7 | |
| 8 | GB5783-M12X30 | M12x30 BOLTS | 1 | |
| 9 | GB5783-M8X30 | M 8x30 BOLTS | 2 | |
| 10 | GB5783-M8X20 | M 8x20 BOLTS | 2 | |
| 11 | GB5783-M8X25 | M 8x25 BOLTS | 11 | |
| 12 | 24PMF.03.105 | PULLEY | 1 | |
| 13 | WCM8-00183 | SUPPORT BOARD | 1 | |
| 14 | WCM8-00182 | PULL BOARD | 1 | |
| 15 | WCM8-00122 | LOCKING BOARD | 1 | |
| 16 | A991 | A991BELTS | 1 | |

| | | | |
|----|----------------|--------------------|----|
| 17 | WCM8-00121 | SPRING | 1 |
| 18 | GB5782-M8X120 | M 8x120 BOLT | 1 |
| 19 | GB5782-M6X30 | M 6x30 BOLT | 1 |
| 20 | GB5782-M8X50 | M 8x50 BOLT | 2 |
| 21 | DIN985-M8 | M 8 NUT | 8 |
| 22 | DIN985-M6 | M 6 NUT | 1 |
| 23 | GB6170-M8 | M 8 NUT | 4 |
| 24 | WCM8-00181 | LOCKING SEAT | 1 |
| 25 | GB97.1-8 | 8PLAIN WASHER | 15 |
| 26 | WCM8-00022 | LOCKING LINE | 1 |
| 27 | 24PMF.03.112 | CONNECT | 2 |
| 28 | WCM8-00189 | UNLOCK BOARD | 1 |
| 29 | WCM8-00190 | SPRING | 1 |
| 30 | 24PMF.03.109-1 | SPRING | 1 |
| 31 | 24PMF.03.107 | INNER CLUTCH CLAW | 1 |
| 32 | 24PMF.03.108 | OUTTER CLUTCH CLAW | 1 |
| 33 | 24PMF.03.017 | OUTTER SHAFT | 1 |
| 34 | 24PMF.03.018 | INNER SHAFT | 1 |
| 35 | GB78-M5X8 | M 5x 8BOLT | 1 |

Sezione

4

ECO17M_part4

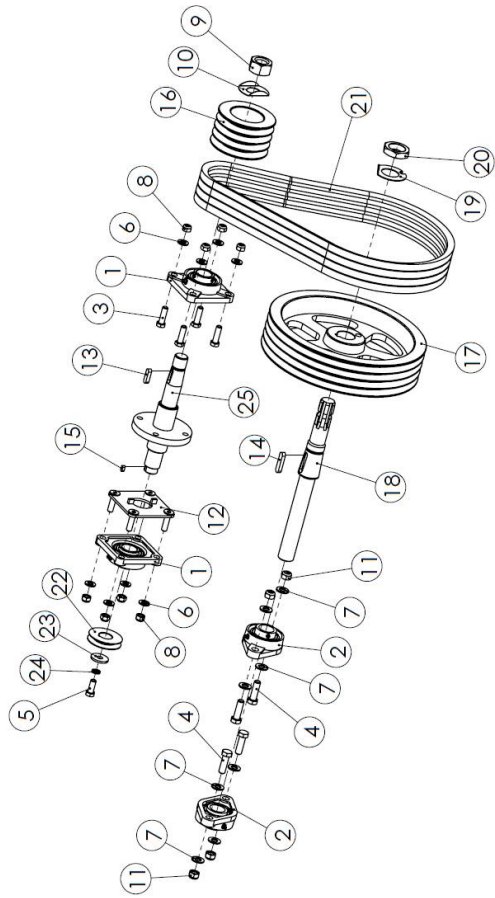


| SerNo | PartNo | Description | Quantity | Price |
|-------|---------------|----------------------|----------|-------|
| 1 | WCM8-00028 | ROLLER | 1 | |
| 2 | WCM8-00131 | ROLLER SHAFT | 1 | |
| 3 | WCM8-00031 | LIFT CONNECT SUPPORT | 1 | |
| 4 | WCM8-00026 | SWING BODY | 1 | |
| 5 | WCM8-00030 | LIFT ARM | 2 | |
| 6 | UCFL204-45° | UCFL204 BEARING | 2 | |
| 7 | GB97.1-10 | 10 PLAIN WASHER | 12 | |
| 8 | GB97.1-6 | 6 PLAIN WASHER | 1 | |
| 9 | GB97.1-12 | 12 PLAIN WASHER | 4 | |
| 10 | DIN985-M10 | M10 NUT | 8 | |
| 11 | DIN985-M12 | M12NUT | 2 | |
| 12 | GB5783-M10X25 | M10x25 BOLT | 8 | |
| 13 | GB5783-M6X16 | M 6x16BOLT | 1 | |
| 14 | GB5783-M12X30 | M12x30BOLT | 2 | |
| 15 | WCM8-00032 | LIFT SUPPORT SHAFT | 1 | |
| 16 | GB93-6 | 6 SPRING WASHER | 1 | |
| 17 | GB93-10 | 10 SPRING WASHER | 4 | |
| 18 | WCM8-00027 | ROLLER LIFT ARM | 1 | |
| 19 | S26.01.103 | HANDLER COVER | 1 | |

Sezione

5

ECO17M_part5



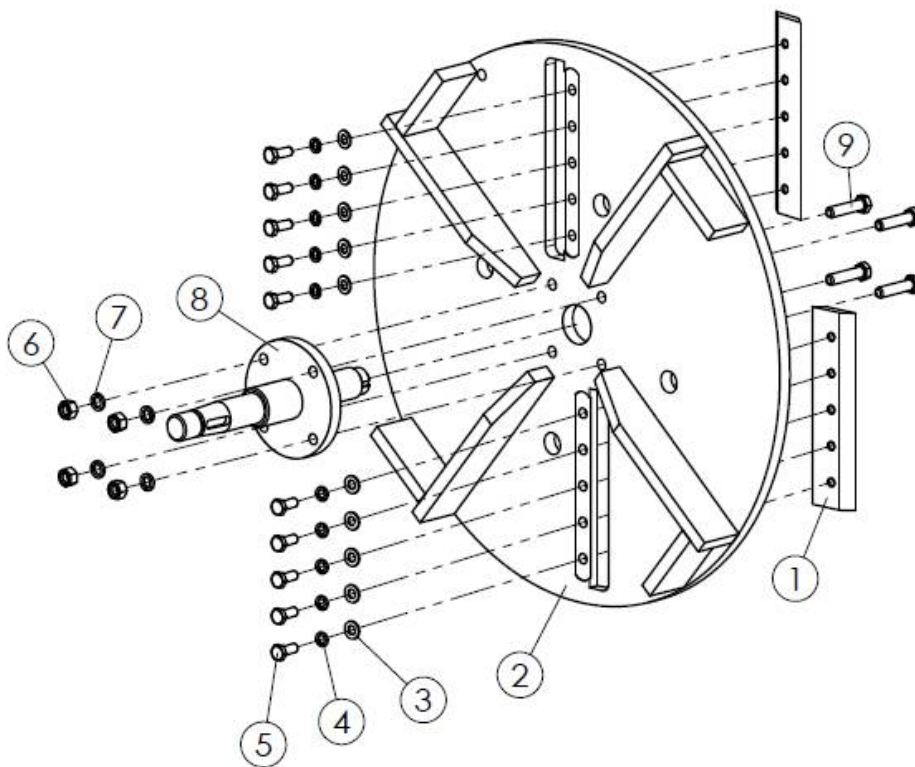
| SerNo | PartNo | Description | Quantity | Price |
|-------|------------------|-----------------|----------|-------|
| 1 | UCF207 | UCF207 BEARING | 2 | |
| 2 | UCFL207 | UCFL207 BEARING | 2 | |
| 3 | GB5783-M12X40 | M12x40 BOLT | 4 | |
| 4 | GB5783-M14X45 | M14x45 BOLT | 4 | |
| 5 | GB5783-M12X30 | M12x30 BOLT | 1 | |
| 6 | GB97.1-12 | 12 PLAIN WASHER | 8 | |
| 7 | GB97.1-14 | 14 PLAIN WAHSER | 8 | |
| 8 | DIN985-M12 | M12 NUT | 8 | |
| 9 | DIN985-M30X1.5 | M30X1.5 | 1 | |
| 10 | WCL5-00116 | WASHER | 1 | |
| 11 | DIN985-M14 | M14 NUT | 4 | |
| 12 | WCL5-00018 | BEARING SUPPORT | 1 | |
| 13 | GB1096-A-10X8X35 | 10x35 PLAIN KEY | 1 | |
| 14 | GB1096-A-12X8X50 | 12x50 PALIN KEY | 1 | |
| 15 | GB1096-C-6X6X14 | 6x14 PLAIN KEY | 1 | |
| 16 | WCL8-00108 | SMAL PULLEY | 1 | |

| | | | |
|----|-------------|------------------|---|
| 17 | WCL8-00112 | LARGE PULLERY | 1 |
| 18 | WCL5-00109 | SHAFT | 1 |
| 19 | WCL5-00115 | WAHER | 1 |
| 20 | WCL5-00114 | M40x1.5 BOLT | 1 |
| 21 | B1448 | B1488-8BELT | 4 |
| 22 | WCL8-00130 | PULLEY | 1 |
| 23 | MZ105.115 | WASHER | 1 |
| 24 | GB93-12 | 12 SPRING WAHSER | 1 |
| 25 | WCM8-01011A | FLY WHEEL SHAFT | 1 |

Sezione

6

ECO17M_part6

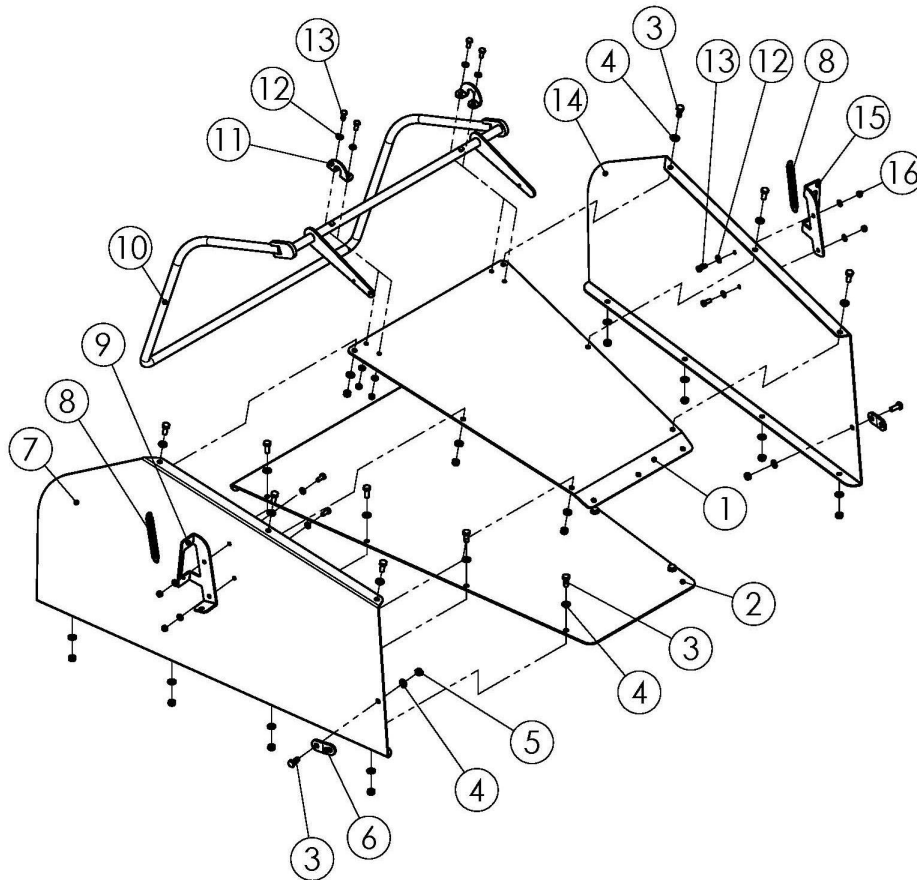


| SerNo | PartNo | Description | Quantity | Price |
|-------|---------------|-----------------|----------|-------|
| 1 | WCM8-01101A | CHIPPER BLADE | 2 | |
| 2 | WCM8-01010A | FLY WHEEL | 1 | |
| 3 | GB97.1-10 | 10 PLAIN WAHSE | 10 | |
| 4 | GB93-10 | 10 PAIN WAHSE | 10 | |
| 5 | GB5783-M10X25 | M10x25 BOLT | 10 | |
| 6 | GB6170-M12 | M12 NUT | 4 | |
| 7 | GB93-12 | 12 PLAIN WASHER | 4 | |
| 8 | WCM8-01011A | FLY WHEEL SHAFT | 1 | |

Sezione

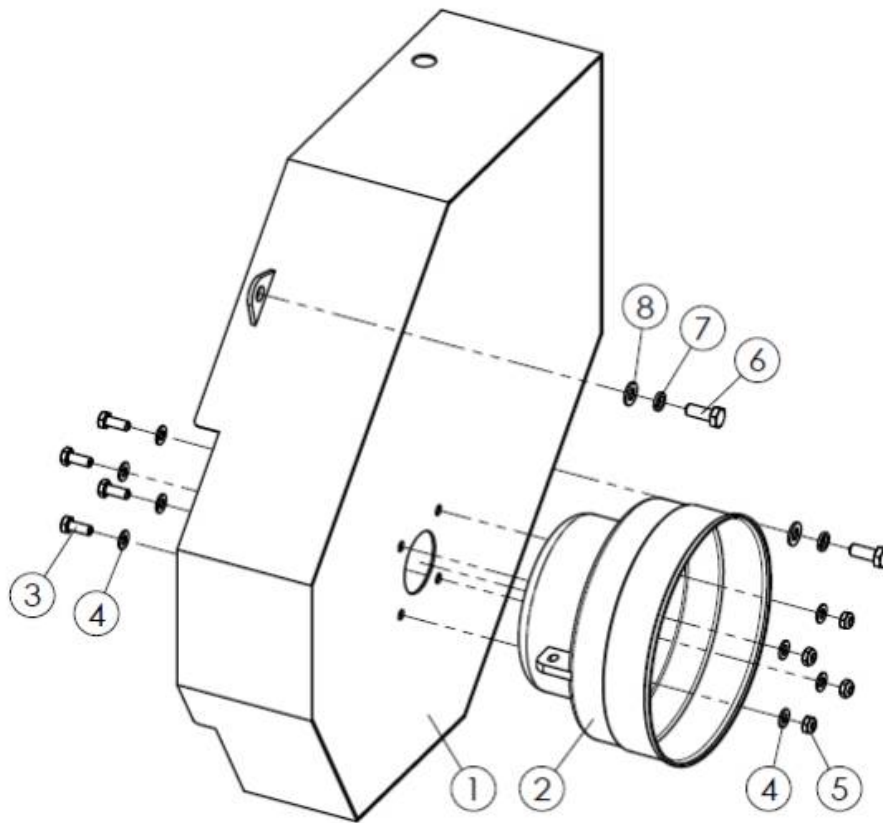
7

ECO17M_part7



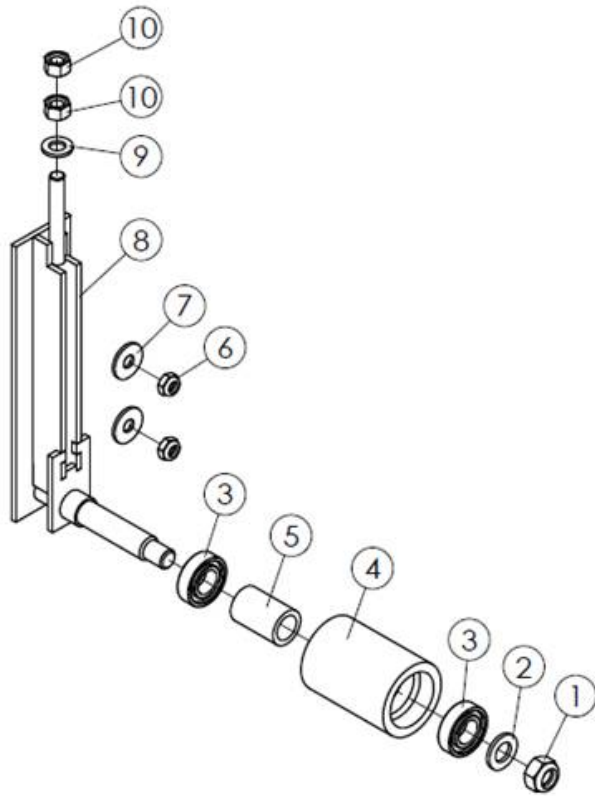
| SerNo | PartNo | Description | Quantity | Price |
|-------|---------------|-------------|----------|-------|
| 1 | WCM8-00119A | | 1 | |
| 2 | WCM8-00116A | | 1 | |
| 3 | GB5783-M10X25 | | 16 | |
| 4 | GB97.1-10 | | 30 | |
| 5 | DIN985-M10 | | 16 | |
| 6 | 24PMF.01.117 | | 2 | |
| 7 | WCM8-00117A | | 1 | |
| 8 | WCM8-00121 | | 2 | |
| 9 | WCM8-00262 | | 1 | |
| 10 | WCM8-00023A | | 1 | |
| 11 | WCM8-00261 | | 2 | |
| 12 | GB97.1-8 | | 16 | |
| 13 | GB5783-M8X20 | | 8 | |
| 14 | WCM8-00118A | | 1 | |
| 15 | WCM8-00263 | | 1 | |
| 16 | DIN985-M8 | | 8 | |

ECO17M_part8



| SerNo | PartNo | Description | Quantity | Price |
|-------|---------------|------------------|----------|-------|
| 1 | WCM8-03011 | PULLERY COVER | 1 | |
| 2 | FM120.00.199 | PTO GUARDER | 1 | |
| 3 | GB5783-M8X20 | M 8×20 BOLT | 4 | |
| 4 | GB97.1-8 | 8 PLAIN WASHER | 8 | |
| 5 | DIN985-M8 | M 8 NUT | 4 | |
| 6 | GB5783-M10X25 | M10×25 BOLET | 2 | |
| 7 | GB93-10 | 10 SPAING WASHER | 2 | |
| 8 | GB97.1-10 | 10 PLAIN WASHER | 2 | |

ECO17M_part9



| SerNo | PartNo | Description | Quantity | Price |
|-------|---------------|---------------------|----------|-------|
| 1 | GB6184-M16 | M16 NUT | 1 | |
| 2 | GB97.1-16 | 16 PLAN WAHER | 1 | |
| 3 | GB276-6004-2Z | 104 BEARING | 2 | |
| 4 | WCL8-00106 | TIGHT WHEEL | 1 | |
| 5 | WCL5-00107 | SPACER | 1 | |
| 6 | DIN985-M10 | M10 NUT | 2 | |
| 7 | GB96.1-10 | 10 WASHER | 2 | |
| 8 | WCL5-00016 | TIGHT WHEEL SUPPORT | 1 | |
| 9 | GB97.1-12 | 12 PLAIN WASHER | 1 | |
| 10 | GB6170-M12 | M12 NUT | 2 | |