

Macchina

ATEM

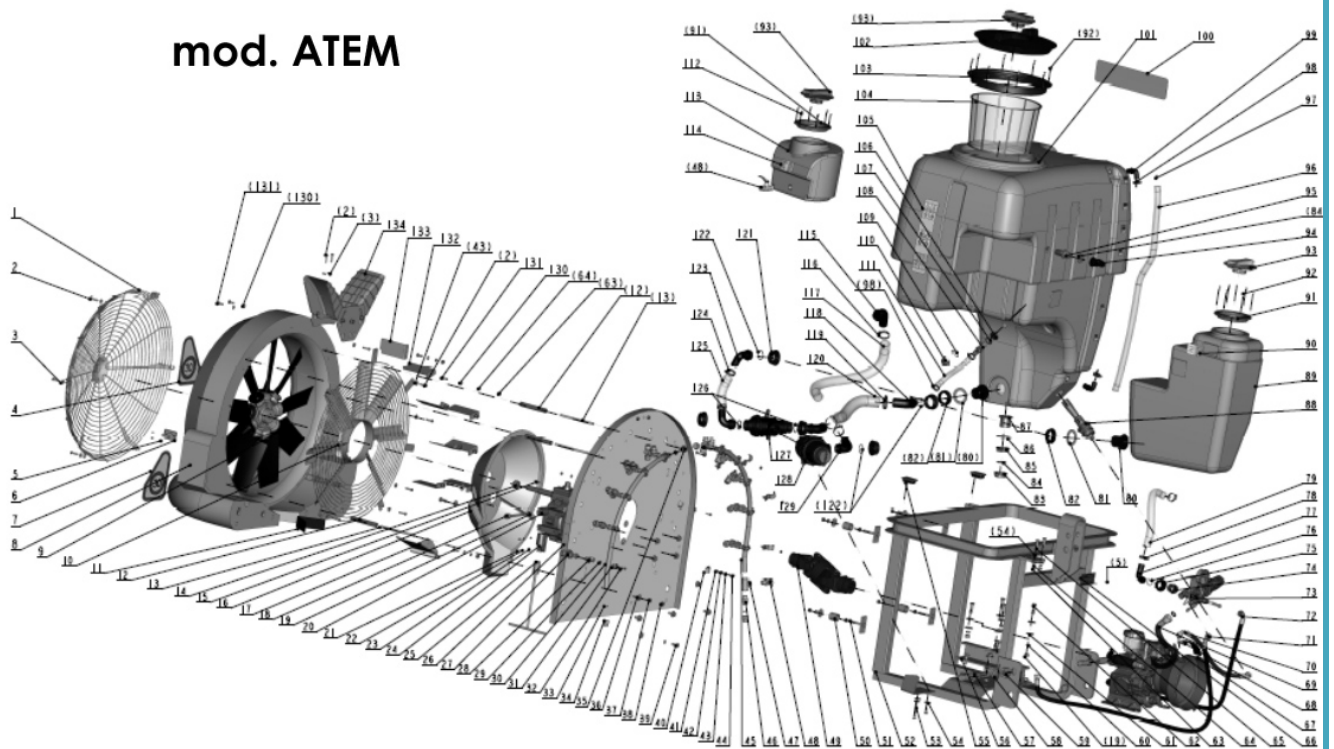


Sezione

1

ATEM

mod. ATEM



SerNo	PartNo	Description	Quantity
-------	--------	-------------	----------

1	FXD7/340.01.01	Main Grid	1
2	GB/T845-1985	Bolt	15
3	GB/T96-85	Plain washer	8
4	FXD7/340.01.02-04	Stricker Left	1
5	GB/T876-86	Nut	6
6	FXD7/340.01.02-03	Support Handle	1
7	FXD7/340.01.02-06	Stricker Right	1
8	FXD7/340.01.02.01	Main Fan Assembly	1
9	FXD7/340.01.05	FAN	1

10	FXD7/340.01.02.02	Back Grid	1
11	FXD7/340.01.02-05		1
12	FXD7/340.01.02-01		4
13	FXD7/340.01.02-02		4
14	GB/T6183.2-2000		1
15	GB/T1096-2003	Key	1
16	FXD7/340.01.04-02		1
17	FXD7/340.01.04.03		1
18	FXD7/340.01.04-04		1
19	GB/T6170-2000	Nut	9
20	FC93.00		1
21	GB/T818-2000	Gearbox	2
22	GB/T93-1987	Spring washer	2
23	GB/T95-2002	Plain washer	2
24	FXD7/340.01.04-05		1
25	FXD7/340.01.04-06		1
26	FXD7/340.01.04.02		1
27	NH102.00	BRASS NOZZLE	10
28	PTZI/4W-01		10
29	GB3452.1-82	O - ring	10
30	FXD7/340.01.04.04-1	right Bar	1
31	PTZI/4W-02		10
32	GB/T70.2-2000		20
33	FXD7/340.01.04.01-2		2
34	FXD7/340.01.04.01-1		2
35	FXD7/340.01.04.01-3		2
36	GB/T96.1-2002		24
37	GB/T93-1987	Spring washer	16
38	GB/T6170-2000	Nut	14
39	GB/T5782-2000	Bolt	8
40	FXD7/340.01.04-03		6
41	GB/T6170-2000	Nut	6
42	GB/T93-1987	Spring washer	6
43	GB/T95-2002	Plain washer	15
44	GB/T5782-2000	Bolt	6
45	FXD7/340.01.04.01-4	left bar	1
46	GB3289.26-82		1
47	GB3289.26-82 G1/2		1
48	BC308 ZG1/2-G1/2		2

49	FXD7/340.02.05	PTO Shaft	1
50	FXD7/340.04-04		4
51	FXD7/340.04.02		4
52	FXD7/340.04.01		1
53	GB/T 5783-86		5
54	GB/T96.1-2002		7
55	FXD7/340.04-01		2
56	FXD7/340.04-03		2
57	FXD7/340.04-06		2
58	FXD7/340.04-05		2
59	GB/T 6172-2000		2
60	GB/T 93-1987	SPRING WASHER	10
61	GB/T 95-2002	Flat washer	20
62	GB/T 5783-86		10
63	GB/T6170-2000	Nut	19
64	GB/T 93-1987	SPRING WASHER	17
65	GB/T 5783-86		2
66	FXD7/340.04-02		1
67	GMB81.00 GMB81		1
68	FXD7/340.02-08		1
69	FXD7/340.02.01		1
70	FXD7/340.02.02		1
71	FXD7/340.02.03		1
72	FXD7/340.02.03	Pipe	1
73	RM40Y.00 RM40Y	REGULATOR RM40Y	1
74	FXD7/340.02-03		1
75	GMB30-02		1
76	GB/T3452.1-1992	O-RING	1
77	GMB30-01		1
78	22-32 2		2
79	FXD7/340.02-06		1
80	FXD7/340.03.01-15		2
81	FXD7/340.03.01-17		2
82	FXD7/340.03.01-16		2
83	FXD7/340.03.01-08		1
84	FXD7/340.03.01-03		2
85	GLQ60-06 G1		2
86	FXD7/340.03.01-09		2
87	FXD7/340.03.01-10		1

88	YJB2.00		1
89	YX340.03		1
90	FXD7/340.03.03-01		1
91	FXD7/340.03.02-02		2
92	GB/T 845-1998		14
93	SXG454.01		3
94	FXD7/340.03.01-04		1
95	FXD7/340.03.01-02		1
96	FXD7/340.03.01-06		1
97	FXD7/340.03.01-05)		1
98	16-25 4		4
99	FXD7/340.03.01-07		2
100	FXD7/340.03.01-01		1
101	YX340.		1
102	SXG355-01		1
103	SXG355-02		1
104	LW302.00		1
105	FXD7/340.03.01-18		1
106	FXD7/340.03.01-13 G1/2		1
107	FXD7/340.03.01-12 G1/2		1
108	FXD7/340.03.01-11 G1/2		1
109	GB/T 3452.1-1992		1
110	FXD7/340.03.01-14 G1/2		1
111	FXD7/340.02-07		1
112	GB/T 845-1998		6
113	YX340.02		1
114	FXD7/340.03.02-01		1
115	GMB215-03		1
116	30-42 2		2
117	FXD7/340.02-02		1
118	FXD7/340.02-05		1
119	32-44 2		2
120	FXD7/340.02-04		1
121	GLQ200-10	bolt	6
122	GB/T 3452.1-1992		3
123	GLQ200-12		2
124	25-38 2		2
125	FXD7/340.02-01		1
126	FGB/T 3452.1-1992		2

127	HXF1 1/2-00		1
128	GLQ200.00	GLQ200	1
129	GLQ200-12A		1
130	GB/T95-2002	Plain washer	9
131	GB/T5782-2000	Bolt	11
132	FXD7/340.01.04-01	Plate	7
133	FXD7/340.01-01	Plate	1
134	FXD7/340.01.03	Kit Deflector	1