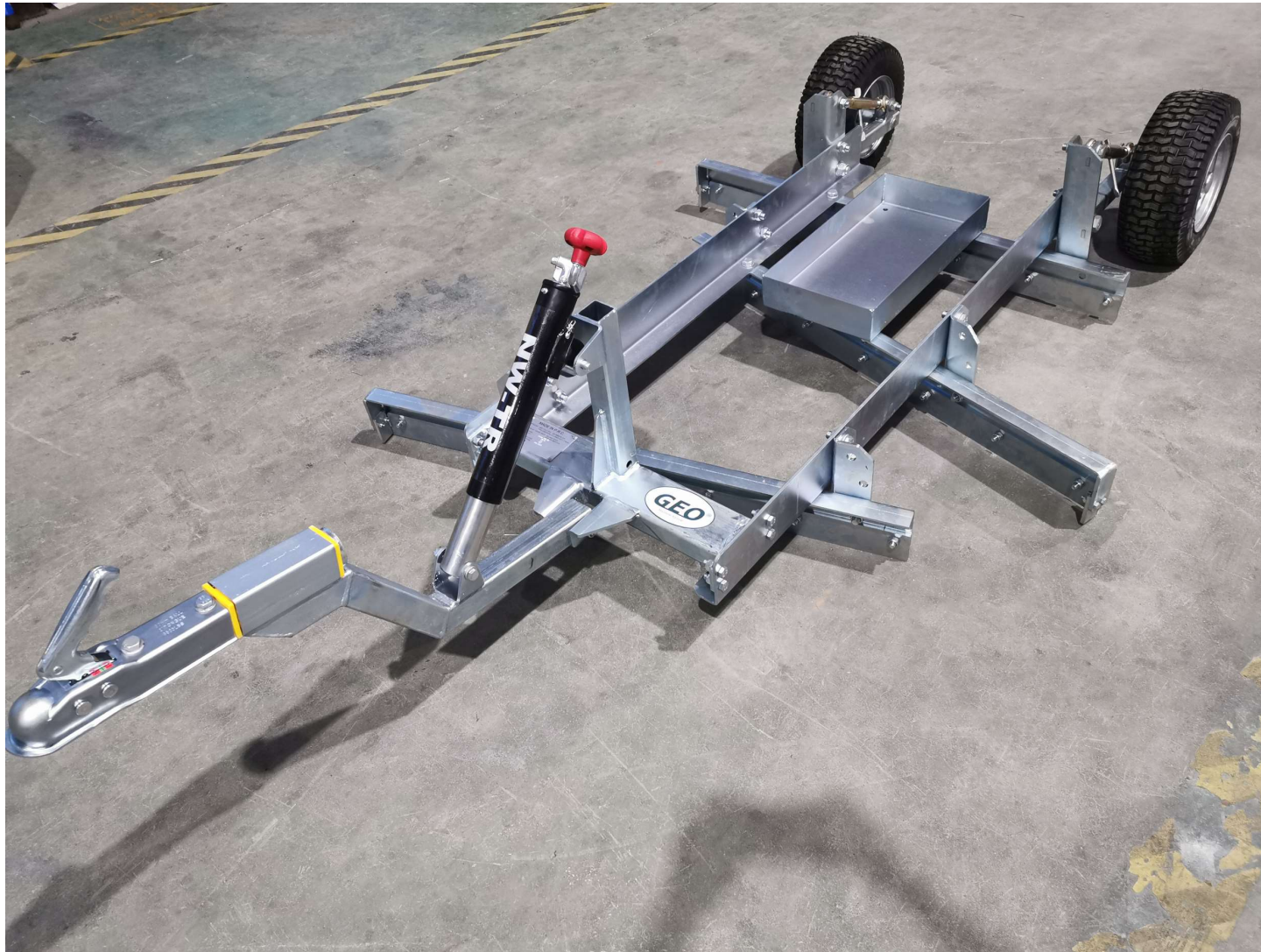
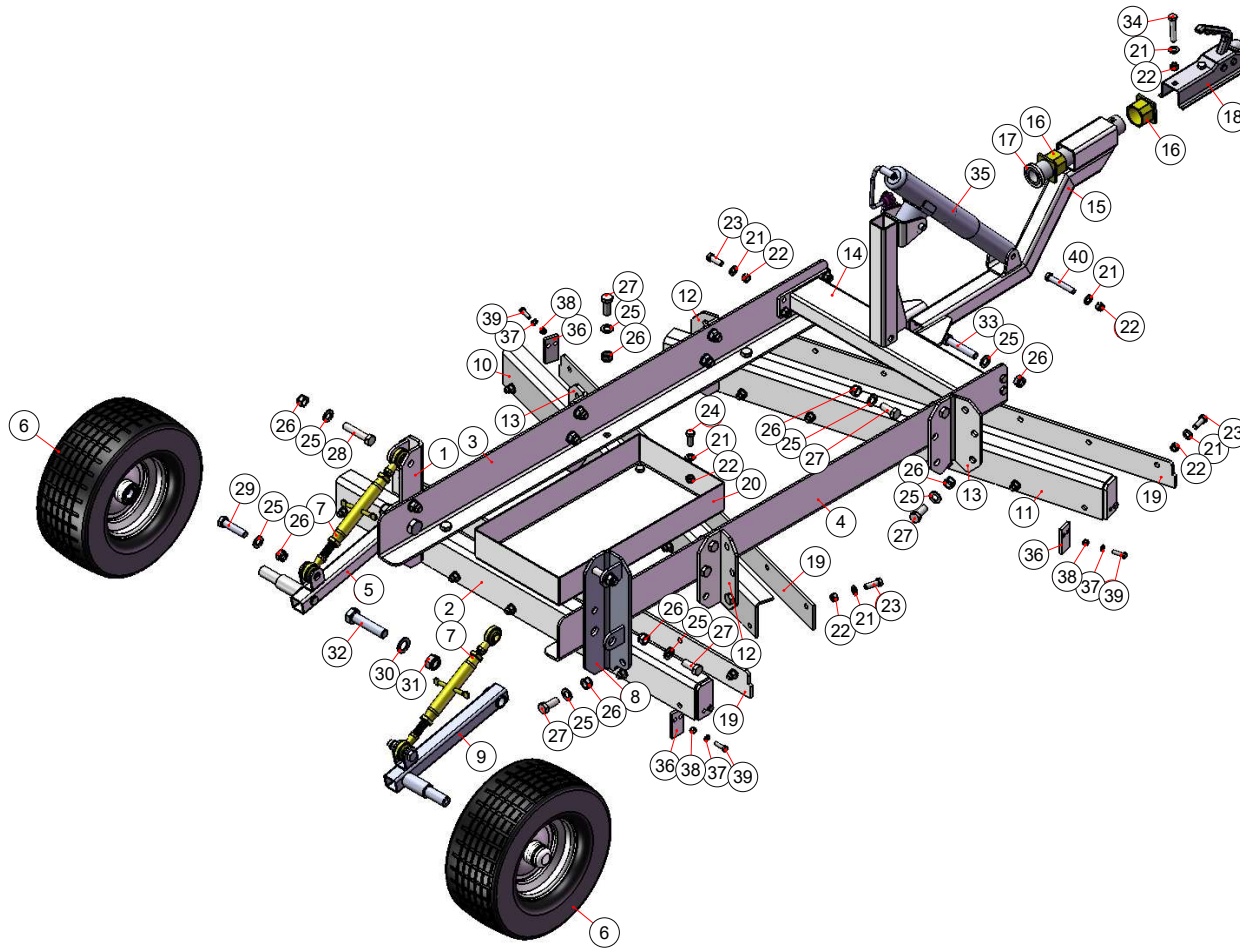


## NW-TR Trailer



# Table of Contents

Tavola	Page
NW-TR Trailer part1	3



Pos	Code	Description	NOTE	Q.
1	BS1400.018	Left standcoltlmn weldment		1
2	BS1400.010	Rear blade weldment		1
3	BS1400.102	Left girder		1
4	BS1400.103	Right girder		1
5	BS1400.013A	Left wheel arm weldment		1
6	BS1400.002	Wheel assembly		2
7	ATV120.501	Adjusting yoke		2
8	BS1400.015	Right standcoltlmn weldment		1
9	BS1400.014	Right wheel arm weldment		1
10	BS1400.012	Middle blade weldment		1
11	BS1400.011	Front blade weldment		1
12	BS1400.019	Connecting plate weldment		2
13	BS1400.105	Connecting plate 1		2
14	BS1400.016	Girder weldment		1
15	BS1400.017	Connecting pipe weldment		1
16	ATV120.113	Sleeve		2
17	AT120-017	Connecting tube weldment		1
18	QT50	Trailer coupler 2"		1
19	BS1400.107	Blade		3
20	BS1400.109	Box		1
21	GB/T95-2002.1	Plain washer 12		36
22	GB/T889.1-2000.1	Lock nut M12		36
23	GB/T5783-2000.1	Bolt M12*35		29
24	GB/T5783-2000.2	Bolt M12*30		4
25	GB/T95-2002.2	Plain washer 16		27

Machine: NW-TR Trailer

Assembly: NW-TR Trailer part1



Pos	Code	Description	NOTE	Q.
26	GB/T889.1-2000.2	Lock nut M16		27
27	GB/T5783-2000.3	Bolt M16*40		22
28	GB/T5782-2000.1	Bolt M16*80		2
29	GB/T5781-2000.1	Bolt M16*70		2
30	GB/T95-2002.3	Plain washer 22		2
31	GB/T6182-2000	Lock nut M22		2
32	GB/T5780-2000	Bolt M22*100		2
33	GB/T5781-2000.2	Bolt M16*90		1
34	GB/T5781-2000.3	Bolt M12*65		2
35	...			1
36	BS1400.110	Blade 2		3
37	GB/T95-2002.4	Plain washer 8		6
38	GB/T889.1-2000.3	Lock nut M8		6
39	GB/T5781-2000.4	Bolt M8*30		6
40	GB/T5782-2000.2	Bolt M12*80		1