

Macchina

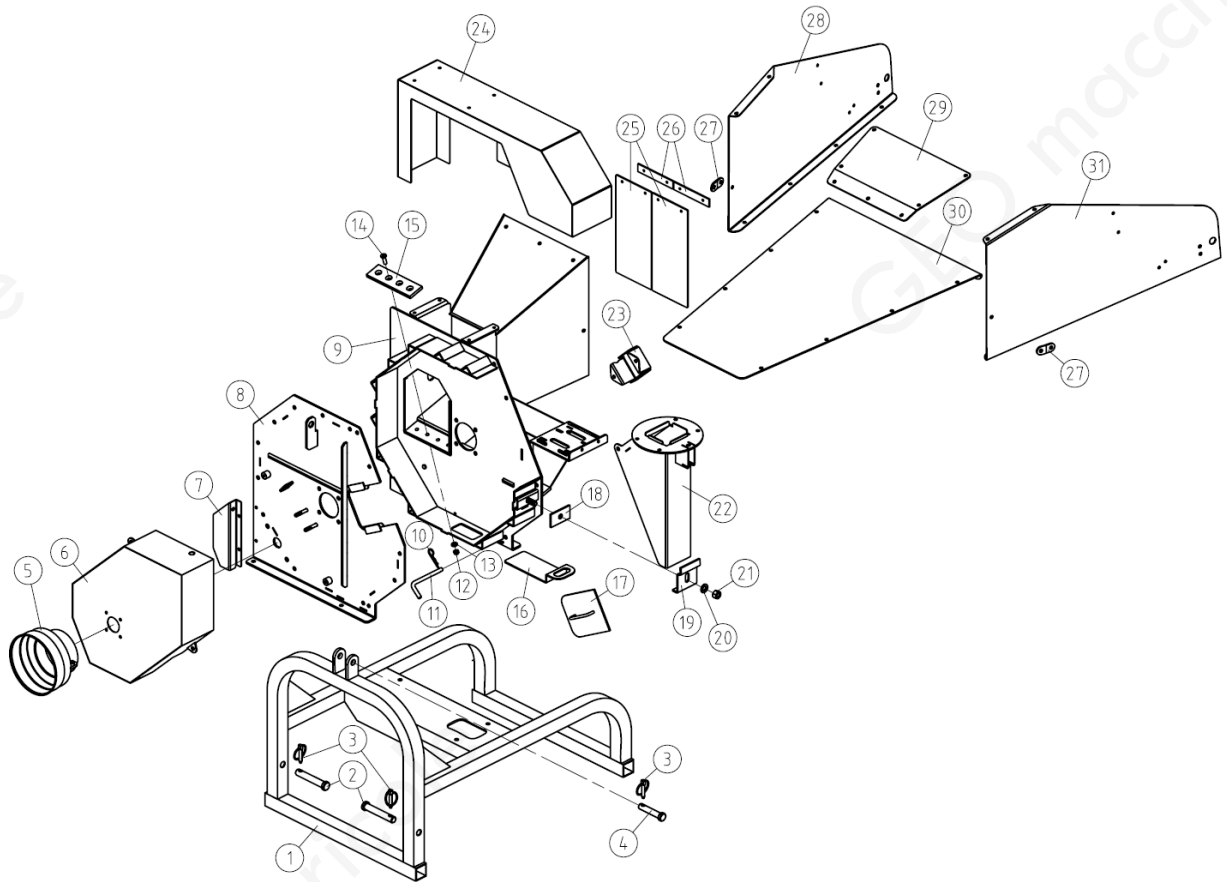
ECO17



Sezione

1

ECO17_part1

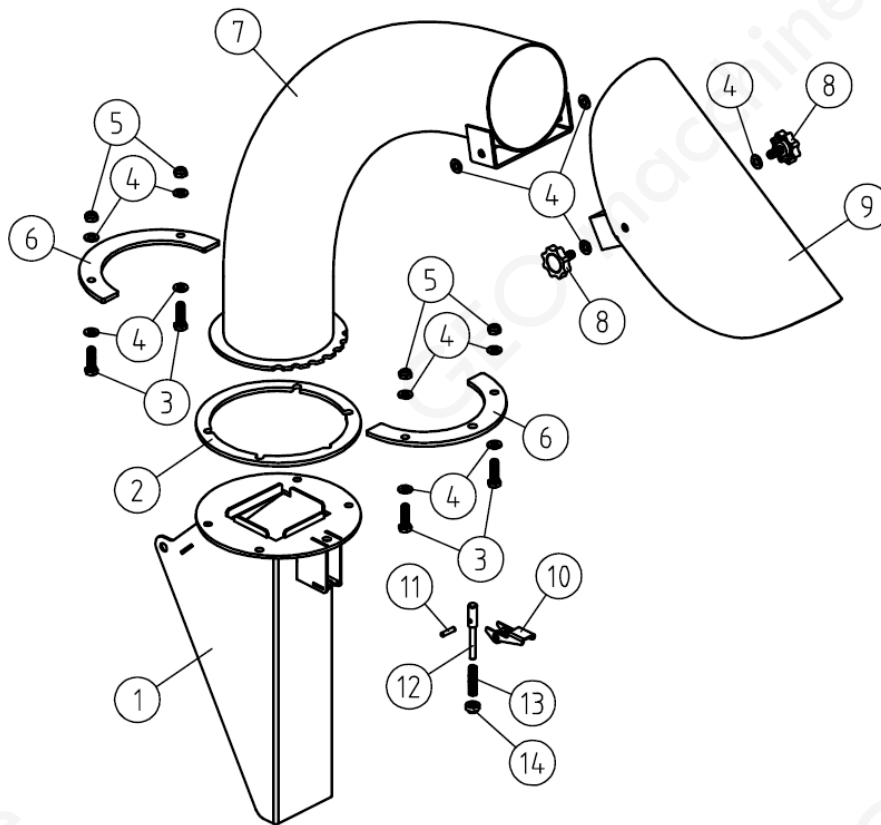


SerNo	PartNo	Description	Quantity
1	WCM8-00011	CHIPPER SEAT WELDMENT	1
2	WCL5-00101	PIN FOR UP-LINK	2
3	200.56.011	PIN & LOCKING PIN	3
4	EF100.00.019	PIN FOR UP-LINK	1
5	FM120.00.401	PTO GUARD	1
6	WCM8-03011	GUARD OF BELT PULLEY	1
7	WCM8-00163	BAFFLE BOARD	1
8	WCM8-00017	SUPPORT	1
9	WCM8-02001	COVER ASSEMBLY	1

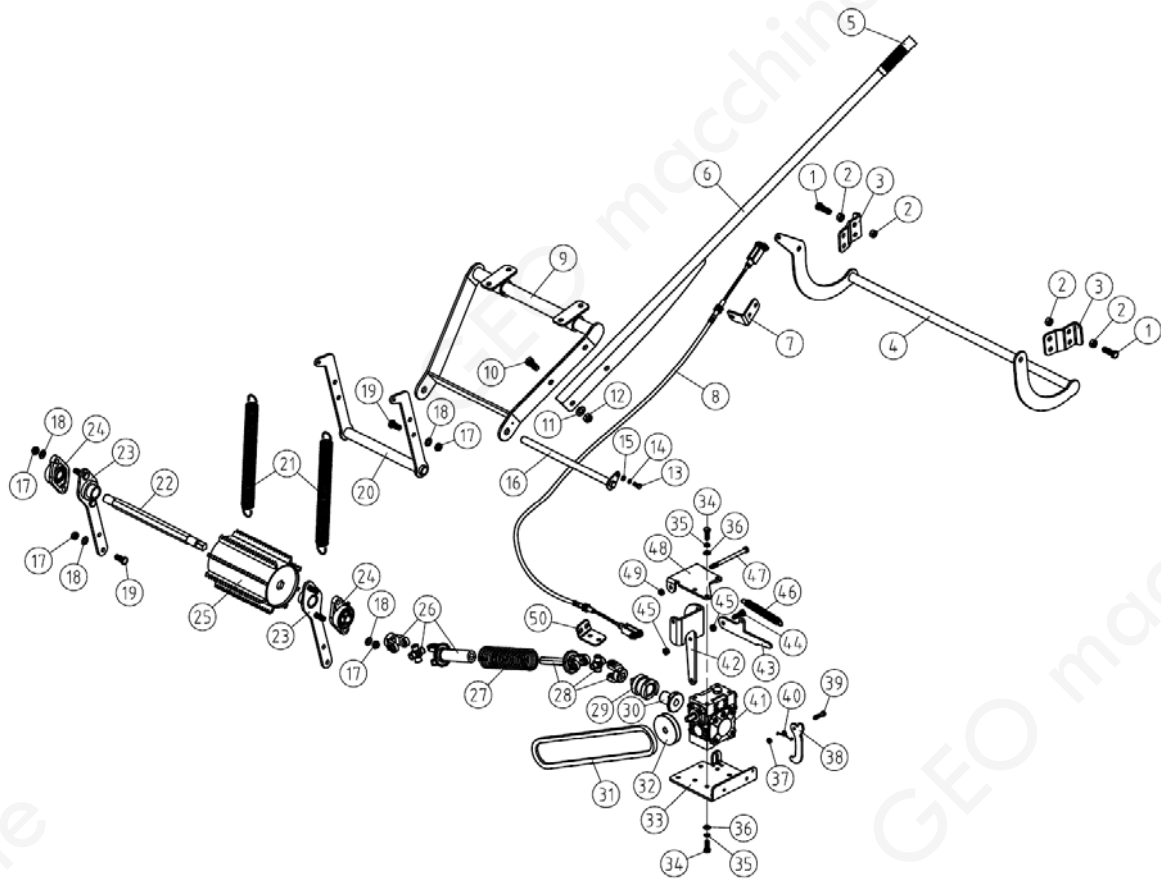
10		SMALL R PIN	1
11	WCL5-00133	LOCK PIN	1
12	GB6184-86	NUT M10	4
13	GB97.1-85	PLAIN WASHER M10*30	4
14	GB70.3-2000	BOLT M10*30	4
15	WCM8-02101	BLADE	1
16	WCM8-00188	COVER	1
17	WCM8-00033	COVER BOARD	1
18	WCL5-00105	RUBBER WASHER	1
19	WCM8-00104	COMPACT BOARD	1
20	GB97.1-85	PLAIN WASHER 16	1
21	GB6170-86	NUT M16	1
22	WCM8-00015	DISCHARGE PIPE	1
23	WCM8-00166	DOWN COVER BOARD	1
24	WCM8-00013	GEAR BOX COVER	1
25	WCL8-00110	PLASTIC BAFFLE BOARD	1
26	WCL8-00111	COMPACT BOARD	1
27	24PMF.01.117	SUPPORT BOARD FOR BUCKET	2
28	WCM8-00117	RIGHT CHARGIN GBOARD	1
29	WCM8-00119	UPPER CHARGIN GBOARD	1
30	WCM8-00116	DOWN CHARGIN GBOARD	1
31	WCM8-00118	LEFT CHARGING BOARD	1

Sezione

2



SerNo	PartNo	Description	Quantity
1	WCM8-00015	DISCHARGE BUCKET	1
2	WCM8-00191	SPACER	1
3	GB5783-86	BOLT M10*35	4
4	GB97.1-85	PLAIN WASHER10	12
5	GB6184-86	NUT M10	4
6	WCM8-00180	COMPACT BOARD	2
7	WCM8-00036	DISCHARGE PIPE WELDMENTS	1
8	FM100.00.018	BOLT ASSEMBLY	2
9	WCM8-00012	DISCHARGE COVER	1
10	WCM8-00038	HANDLE ASSEMBLY	1
11	GB879-86	SPRING PIN 6*24	1
12	WCM8-00184	LOCK PIN	1
13	WCM8-00185	LOCK SRPING	1
14	WCM8-00186	LOCK SRPING SEAT	1

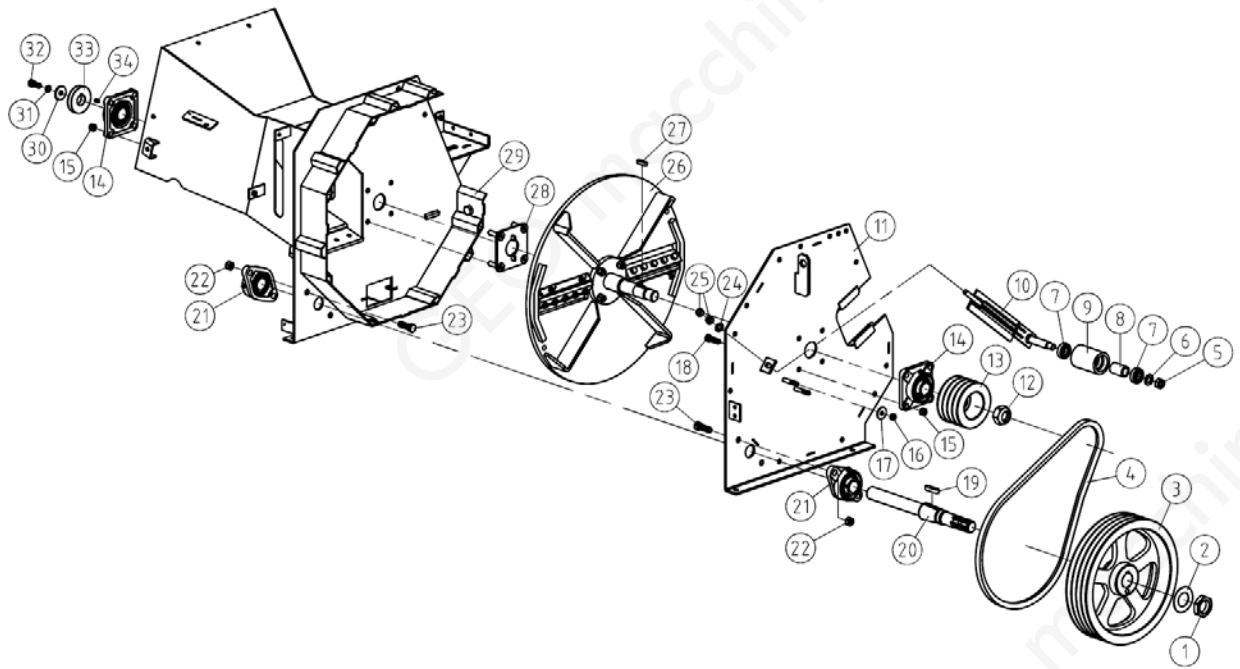


SerNo	PartNo	Description	Quantity
1	GB5783-86	BOLT M10*30	2
2	GB6170-86	NUT M10	4
3	WCM8-00193	CONNECTING PLATE	2
4	WCM8-00023	STOP HANDLE	1
5	S26.01.103	PROTECT COVER	1
6	WCM8-00027	HANDLE	1
7	WCM8-00194	CONNECTING PLATE	1
8	WCM8-00022	LOCKING LINE	1
9	WCM8-00026	SWING WELDMENT	1
10	GB5783-86	BOLT M12*30	1
11	GB97.1-85	PLAIN WASHER12	1
12	GB6184-86	NUT M12	1
13	GB5783-86	BOLT M12*30	1
14	GB93-87	SPRING WASHER6	1
15	GB97.1-85	PLAIN WASHER6	1
16	WCM8-00032	SWING WELDMENT AXIS	1
17	GB6184-86	NUT M10	3
18	GB97.1-85	PLAIN WASHER 10	3
19	GB5783-86	BOLT M10*25	3

20	WCM8-00031	SUPPORT FOR ROLLER	1
21	WCL8-00170	SPRING	2
22	WCM8-00131	ROLLER AXES	1
23	WCM8-00030	SET UP PIPE	2
24	UCFL204	BEARING SEAT FL204	2
25	WCM8-00028	ROLLER	1
26	24PMF.03.017A	OUTTER DRIVE SHAFT	1
27	WCL8-00170	SPRING	1
28	24PMF.03.018A	INNER DRIVE SHAFT	1
29	24PMF.03.108	CLUTCH OUTER CLAW	1
30	24PMF.03.107	CLUTCHINNER CLAW	1
31	GB11544-97-A800	BELT A 800	1
32	24PMF.03.105	BELT PULLEY	1
33	WCM8-00187	SUPPORT	1
34	GB5783-86	BOLT M8*20	2
35	GB93-87	SPRING WASHER8	2
36	GB97.1-85	PLAIN WASHER8	2
37	GB6184-86	NUT M6	1
38	WCM8-00189	UNLOCK BOARD	1
39	GB5782-86	BOLT M6*30	1
40	WCM8-00190	SPRING	1
41	Q/IAKY01-91	WORM REDUCTION GEAR	1
42	WCM8-00182	PULL BOARD	1
43	WCM8-00122	LOCKING BOARD	1
44	GB5783-86	BOLT M8*30	1
45	GB6170-86	NUT M8	2
46	WCM8-00121	SPRING	1
47	GB5782-86	BOLT	1
48	WCM8-00183	SUPPORT SEAT	1
49	GB6184-86	NUT M8	1
50	WCM8-00181	LOCKING SEAT	1

Sezione

4



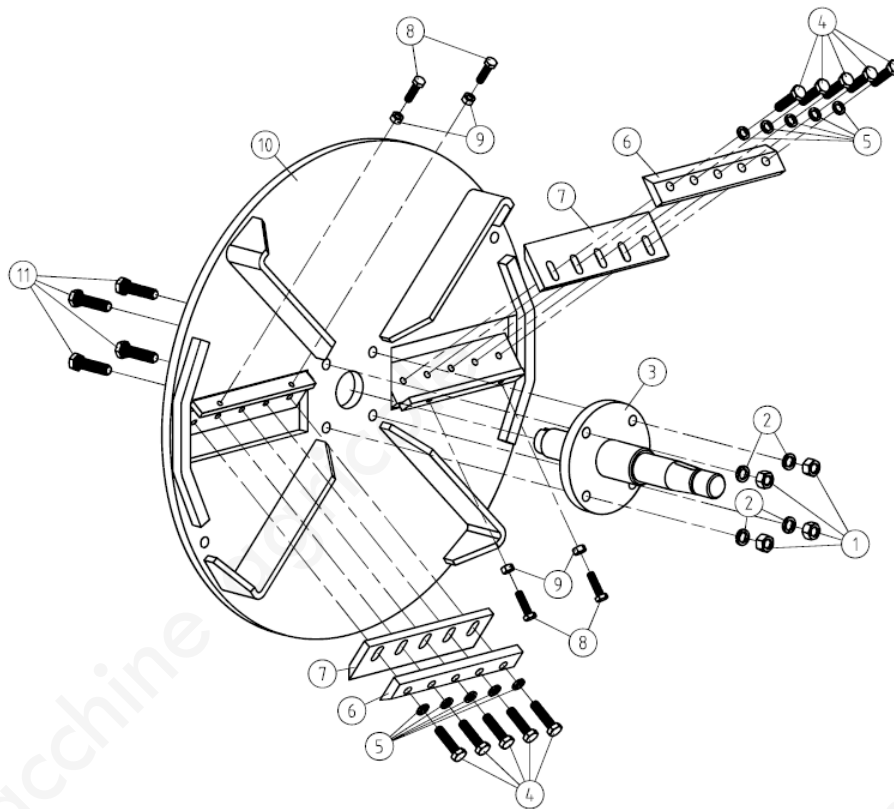
SerNo	PartNo	Description	Quantity
1	WCL5-00114	NUT M40*1.5	1
2	WCL5-00115	LOCKING WASHER	1
3	WCL8-00112	LARGE BELT PULLEY	1
4	GB11544-97-1168	BELT B 46	1
5	GB6184-86	NUT M16*1.5	1
6	GB97.1-85	PLAIN WASHER16	1
7	GB278-89	BEARING 104	2
8	WCL5-00107	SAPCER	1
9	WCL5-00106	TENSION WHEEL	1
10	WCL5-00016	SUPPORT IF TENSION WHEEL	1
11	WCM8-00017	COVER	1
12	GB6184-86	NUT M30*2	1
13	WCL8-00108	SMALL BELT PULLEY	1
14	UCF207	BEARING SEAT F207	2
15	GB6184-86	NUT M12	8
16	GB6184-86	NUT M10	2
17	GB5287-85	BIG PLAIN WASHER	2
18	GB5783-86	BOLT M12*40	4
19	GB/T 1096-2003	PLAIN KEY12*50	1

20	WCL5-00109	OUTPUT SHAFT	1
21	UCFL207	BEARING SEAT FL207	2
22	GB6184-86	NUT M14	4
23	GB5783-86	BOLT M14*45	4
24	GB97.1-85	PLAIN WASHER 12	1
25	GB6170-86	NUT M12	2
26	WCM8-01001	FLY WHEEL ASSEMBLY	1
27	GB/T 1096-2003	PLAIN KEY10*25	2
28	WCL5-00018	SUPPORT BEARING SEAT	1
29	WCM8-02001	SUPPORT WELDMENT ASSEMBLY	1
30	MZ105.115	WASHER	1
31	GB93-87	SPRING WASHER12	1
32	GB5783-86	BOLT M12*30	1
33	WCL8-00130	BELT PULLEY	1
34	GB/T 1096-2003	PLAIN KEY C6*14	1

Sezione

5

ECO17_part5



SerNo	PartNo	Description	Quantity
1	GB6170-86	NUT M12	4
2	GB93-87	SPRING WANSHER 12	4

3	WCL8-01011	FLY WHEEL AXLE	1
4	GB5783-86	BOLT M10*40	10
5	GB93-87	SPRINGWASHER	10
6	WCM8-01102	OMPACT BOARD FOR BLAD	2
7	WCM8-01101	BLADE	2
8	GB5783-86	BOLTS M8*30	4
9	GB6170-86	NUT M8	4
10	WCM8-01010	FLY WHEEL ASSEMBLY	1
11	GB5783-86	BOLT M12*50	4